

## DCS-IV Manual Supplement

### Product Description

The DCS-IV Multiple Loop Controller is a panel-mounted version of the PCC-IV. The DCS-IV mounts inside an enclosure and provides I/O for various operations. The DCS-IV controller is programmable via the USB jack. Operations and I/O are via the Ethernet or RS-485 Modbus connection depending on the Blockware configuration in use.

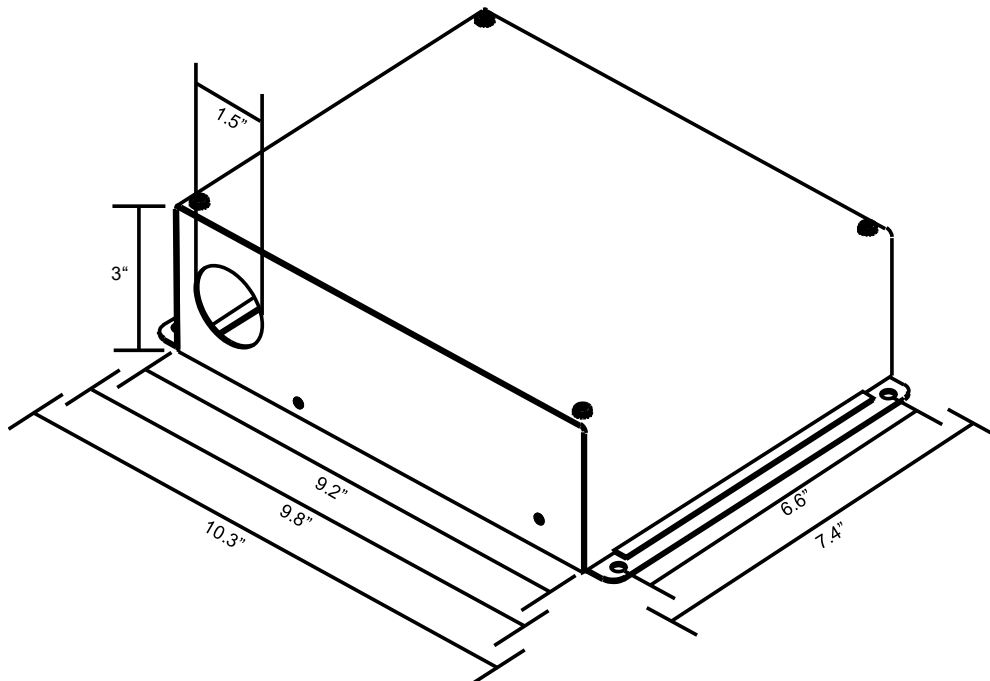
The PCC-IV manual serves as the manual to the DCS-IV with the following exceptions:

- Front Panel – The DCS-IV typically does not have a front panel control display. The push buttons, menu systems, and display readouts do not exist. All references to these items should be ignored. Instead, the DCS-IV offers Modbus communication to any number of display devices including Building Automation Systems (BAS), touchscreens, SCADA systems, or any other Modbus Master device.
- Front Panel Option:
  - If a case-mounted front panel is used, it will function identically to a PCC-IV front panel. Note that this will add 1" to the depth of the case.
  - If a remote front panel (enclosure-mounted display) is used, take note that if the USB cable length is greater than 3.5 meters (~11.3 ft.), the CPU will be incapable of supplying sufficient current to the front panel, and 24 Vdc will need to be connected to the remote front panel. This can be from the same external power supply that is powering the CPU. See Section 2 "Connecting and Powering the Front Panel," in the PCC-IV manual, for more information.
- Specifications – The DCS-IV case is different from the PCC-IV case. This is the only change to the specifications. See below for the case specifications. Specifications subject to change without notice.

### Mechanical Specifications:

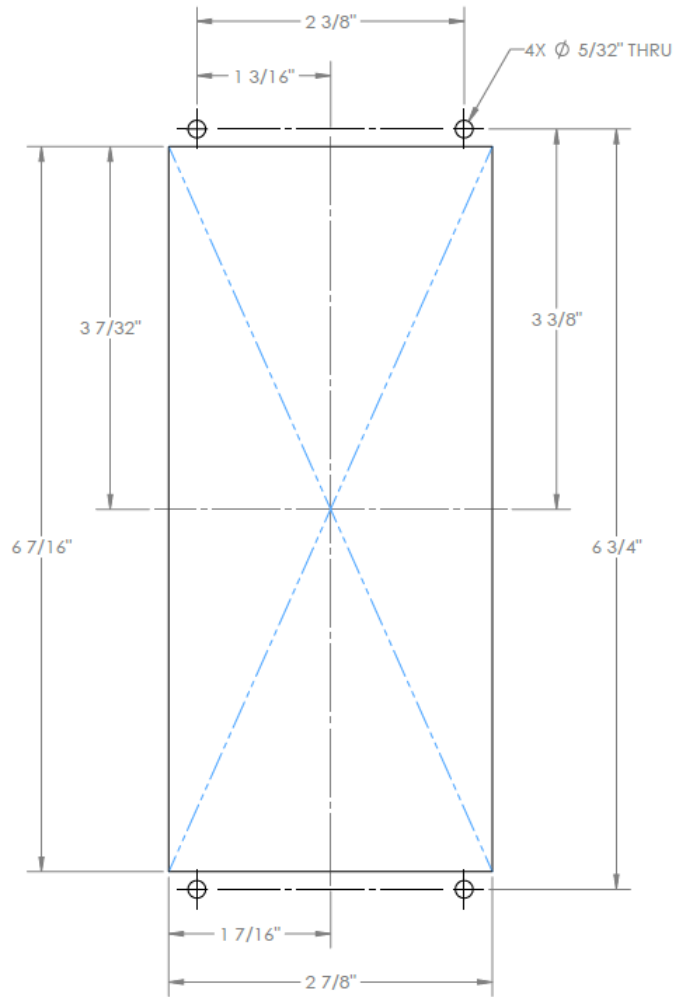
Case Size:	Height: 7.4"; Width: 10.3" (9.2" excluding mounting lip); Depth: 3" (4" with case-mounted front panel)
Enclosure Type:	Backplane mounted (can be mounted at any orientation)
Optional Front Panel Size:	Height: 8.00"; Width: 3.75"; Depth: 1"
Optional Panel Cutout:	see next page
Weight:	6.2 lbs. (excluding option boards and front panel)

All dimensions are approximate

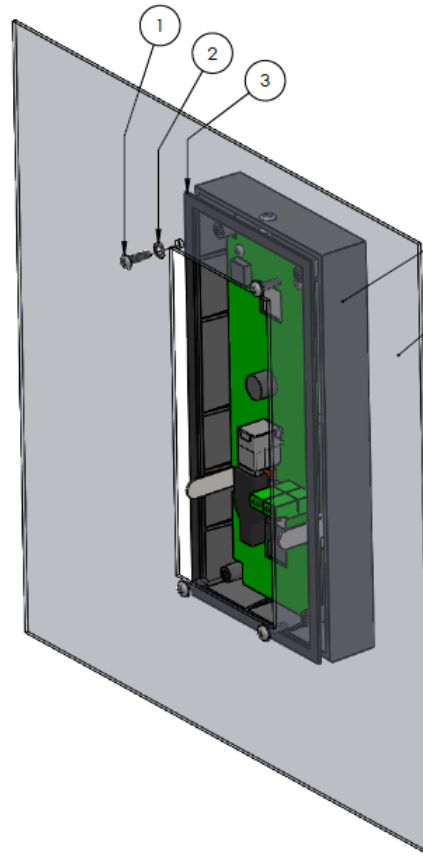


## Optional Front Panel Installation

Cut out an opening in the case or enclosure and drill 4 mounting holes as shown below and mount the front panel.



**PANEL CUTOUT**



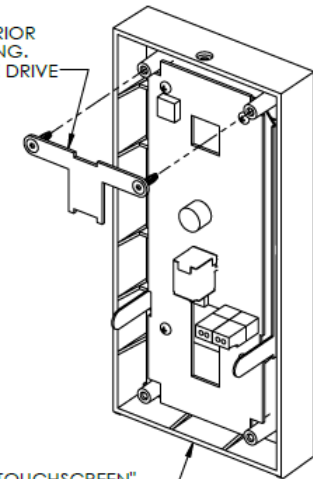
### MOUNTING HARDWARE REQUIRED:

1. (4) "PLASTITE" SCREWS, No. 6 x 1/2" LG. RD HD, PHIL (PUMC P/N "90418-6A-08Z")
2. (4) LOCK WASHERS, #6, INT. SHK. PRF. (PUMC P/N "3094-A006A")
3. (1) GASKET (ATTACHED TO BEZEL PRIOR TO SHIPPING) (PUMC P/N "90134")

"PANEL MOUNT TOUCHSCREEN" SUB-ASSEMBLY (PUMC P/N ("190801"))

PANEL OR ENCLOSURE SHOWN FOR REFERENCE

TO BE REMOVED PRIOR TO PANEL MOUNTING. REQUIRES T10 TORX DRIVE



"PANEL MOUNT TOUCHSCREEN" SUB-ASSEMBLY (PUMC P/N ("190801"))

# Preferred Instruments

## DCS-IV Controller Additional Spare Parts List

Part Number	Description	Recommended spares per 10 DCS-IVs
DCS-IV-0000	Complete DCS-IV controller, with case and mounting screws	0.5
	Case for backplane mounting, with cover	
90418-6A-08Z	"Plastite" Screws, No. 6 x 1/2" LG. RD HD, Phil	
3094-A006A	Lock Washers, #6, Int. Shk. Prf.	
90134	Gasket (Attached to bezel prior to shipping)	