



## **Quanta-Flame Panel Display for 5004 Series Controls**

Model 5004-216RN



### **Display Description**

The 5004-216RN display is a panel mounted display for the 5004 Series Quanta-Flame Controls. It mounts in a control panel through a 1/8 DIN mounting hole and is secured with the included mounting clips.

During operation the display will indicate each step in the control sequence. When the main burner is in the run mode the flame signal level will be indicated in a range of 0 to 5 VDC.

The display constantly refreshes itself with new information from the control. This refreshing is indicated by the slight periodic blink of the messages.

During the trial for ignition period the display may show a blank line across the top row. This indicates the presence of an electrical noise field generated by the ignition circuit. This in no way affects the display or the control. The display will revert to the proper message when the electrical noise ends.

### **SPECIFICATIONS**

#### **MECHANICAL:**

Enclosure: 1¾" H by 3½" L by 3" D (1/8<sup>th</sup> DIN)

#### **ELECTRICAL:**

Supply: 120VAC 50/60 Hz

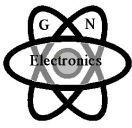
Power consumption: 2VA

Output: Relay Reset contact (15 Amps), communication cable to 5004 control

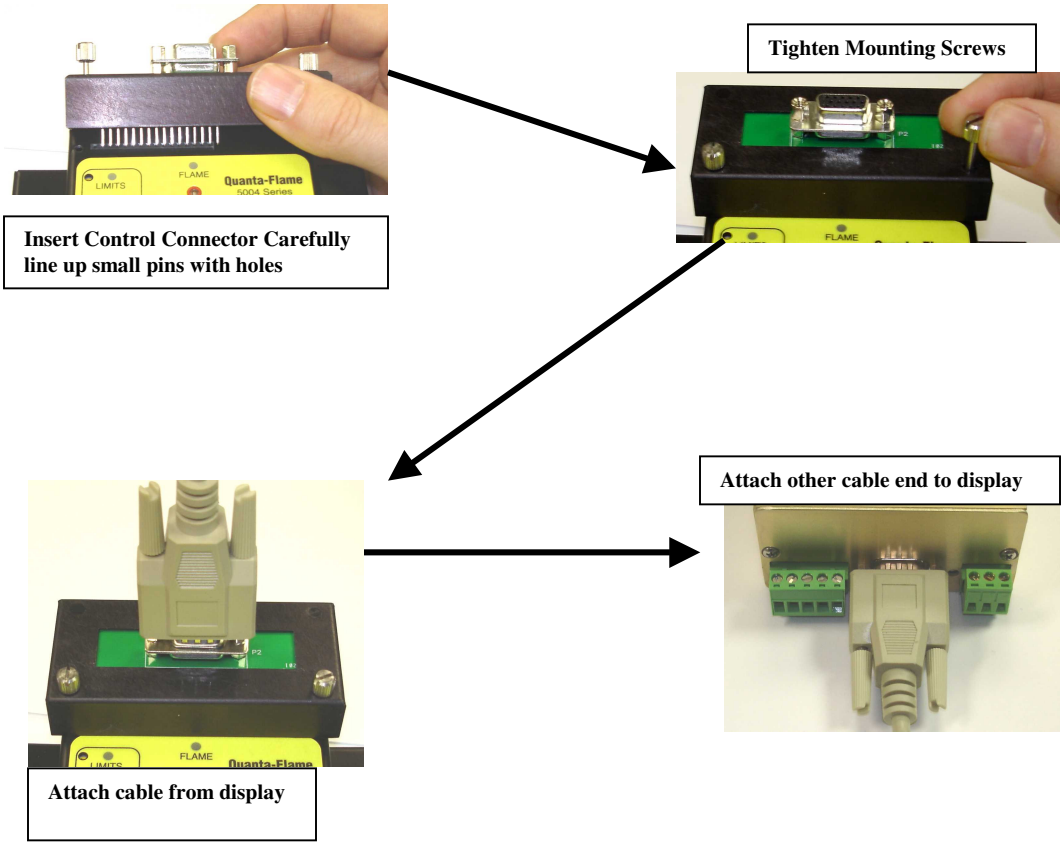
#### **Environmental:**

Class: NEMA type 4 Membrane Front

Temperature rating: -20<sup>o</sup>C to +60<sup>o</sup>C (0<sup>o</sup>F to 140<sup>o</sup>F).



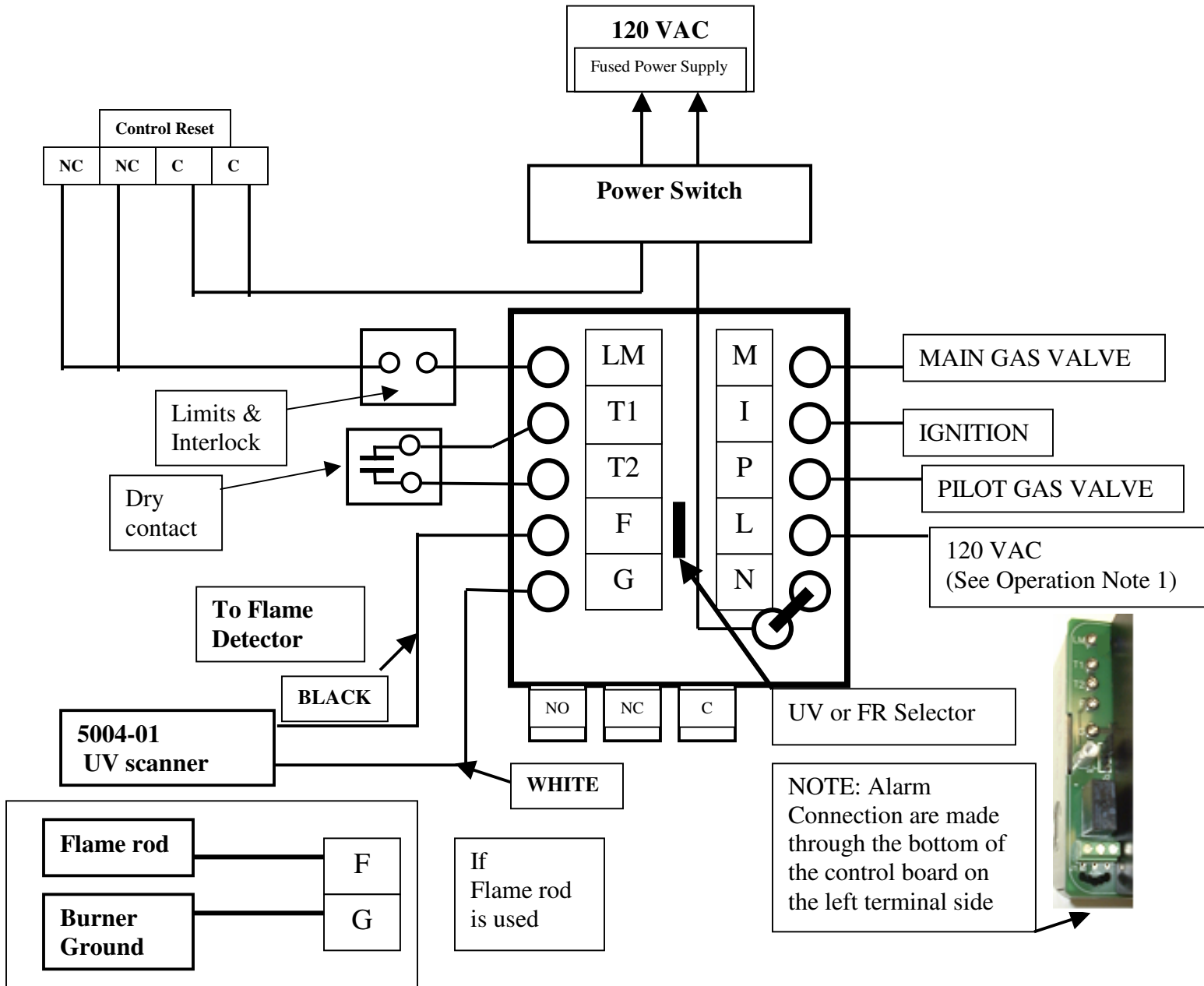
**Attaching the Display to the control**



|                     |    |    |   |   |
|---------------------|----|----|---|---|
| NC                  | NC | NO | C | C |
| Contact Connections |    |    |   |   |

|                   |   |   |
|-------------------|---|---|
| 120V              | N | G |
| Power Connections |   |   |

**DisplayWiring Diagram**



- Note 1: It is not necessary to connect 120VAC to Terminal L. If 120VAC is already connected it must be from the same source as voltage connected to Terminal LM
- Note 2: Model 5004-890/24V is not applicable to 120VAC wiring shown above. Supply voltage for this model must be 12 to 24VDC
- Note 3: The 5004-890 is not suitable for standing pilot applications. For standing pilot applications please order the 5004-890S

