

DRAFT RANGE HIGH DIFFERENTIAL PRESSURE CUTOFF

Model JC-22-HDPCO-8

Introduction

The JC-22-HDPCO-8 is a draft range differential pressure switch with red warning light and time delayed cutout relay contacts. The normally energized cutout relay contacts open when the differential pressure is higher than the setpoint for more than 8 seconds. The setpoint is field adjustable over the 0.05" to 9.0"wc range.

The **JC-22-HDPCO-8** is a direct replacement for the *Hays Cleveland* model # AFS-952-55-B.

Application

The most common application of the JC-22-HDPCO-8 is as a high pressure cutoff switch for combustion draft control systems.

High Positive Pressure Cutoff: Cutoff when positive pressure exceeds setpoint for more than 8 seconds.

High Negative Pressure Cutoff: Cutoff when negative pressure exceeds setpoint for more than 8 seconds.

High differential Pressure Cutoff: Cutoff when differential pressure exceeds setpoint for more than 8 seconds.

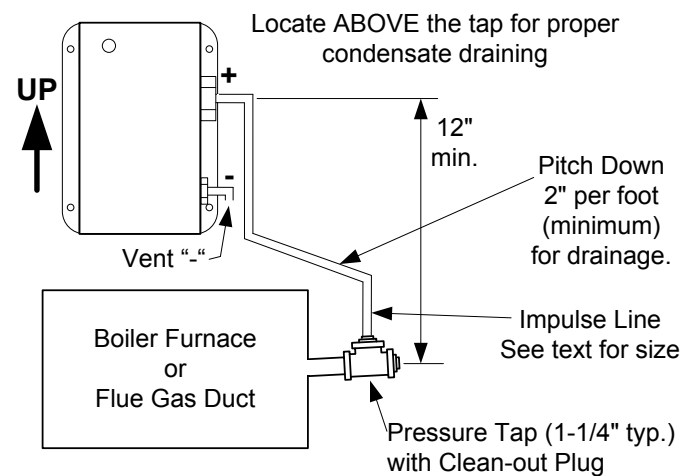
Specifications:

Range:	0.05"wc to 9.0"wc
Deadband:	Progressive
	0-1" SP: +/- 0.03" max
	9" SP: +/- 0.9" max
Max Pressure:	20" wc, port to ambient
Life:	100,000 cycles min.
Operation Temp.:	-20°F to 150°F
Power:	120 Vac, 50/60, 5 VA
Output:	SPDT, 10A/120 Vac
Enclosure:	NEMA 1
Orientation:	Diaphragm in vertical plane
Ports:	1/4" FNPT
Weight:	5 lbs.



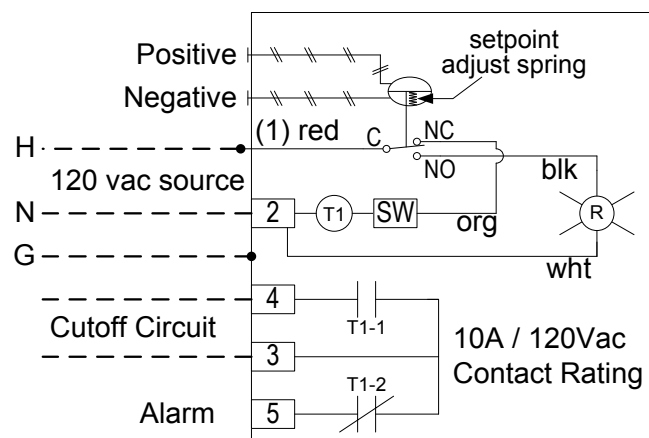
Note: JC-22-LDCO-8 version is available for low positive pressure or low negative pressure applications.

Typical Installation:



Typical Boiler Draft Cutout Application

Wiring:



JC-22-HDPCO-8 schematic

