

INSTALLATION INSTRUCTIONS

1. ATTACH SWITCH TO PLATE AS SHOWN IN FIGURE 1 USING THE FOUR (4) 1/4-20 BOLTS AND LOCKWASHERS.
2. ATTACH SWITCH PLATE TO PIPE AS SHOWN IN FIGURE 2 USING THE TWO (2) PIPE CLAMPS AND NUTS.
3. WITH VALVE CLOSED, POSITION SWITCH PROBE SO THAT IT IS IN CONTACT WITH INSIDE EDGE OF VALVE HANDLE. ROTATE SWITCH AND PLATE ASSEMBLY UNTIL SWITCH IS ACTIVATED SWITCH WILL EMIT AN AUDIBLE CLICK UPON ACTUATION. (PROVE SWITCH ACTIVATION WITH MULTIMETER) TIGHTEN PIPE CLAMPS TO PREVENT MOVEMENT OF PLATE.
4. PROVE SWITCH REPEATABILITY BY OPENING VALVE AND ALLOWING VALVE TO CLOSE WITH ITS OWN SPRING PRESSURE SEVERAL TIMES. IF, AFTER REPEATED CYCLES, SWITCH OPERATES CORRECTLY EACH TIME, TIGHTEN ALL BOLTS AND PIPE CLAMPS.

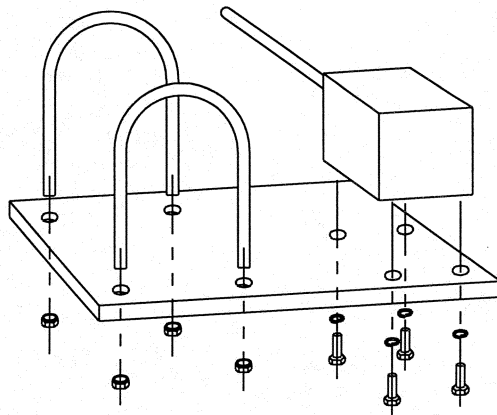


FIGURE 1

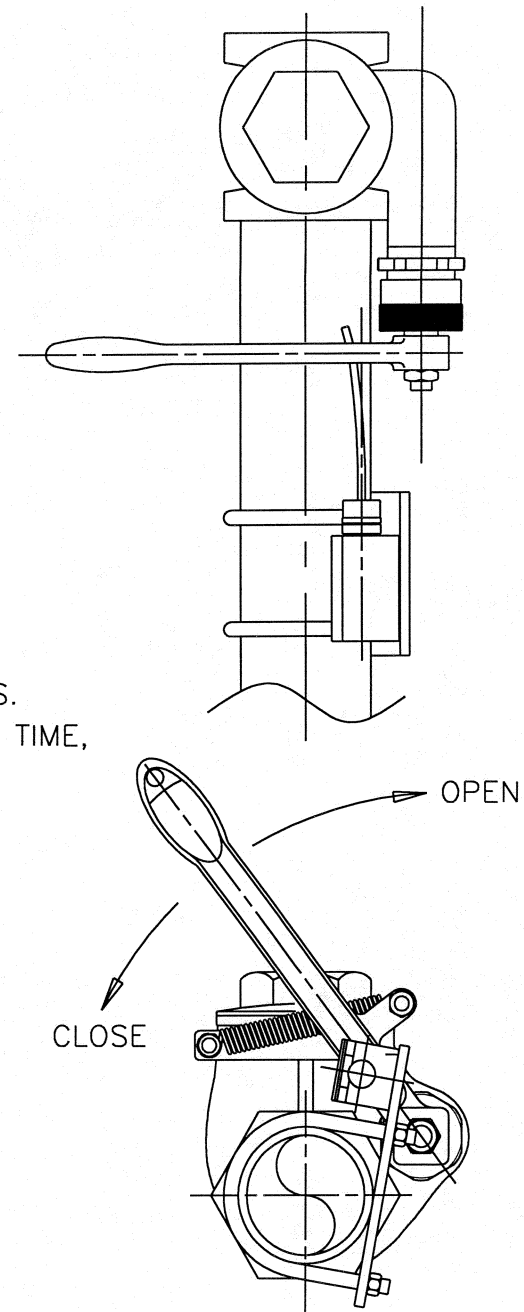


FIGURE 2