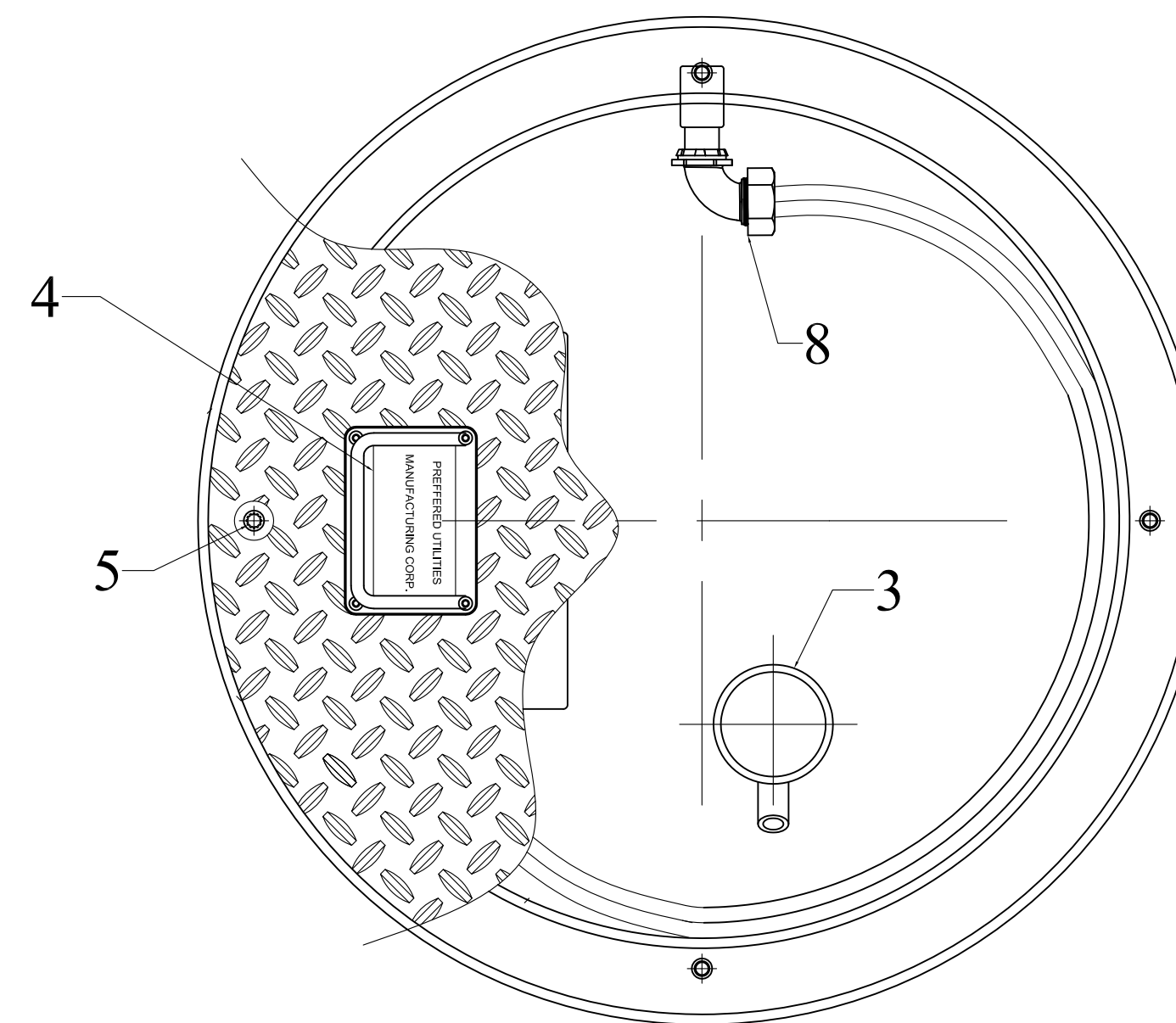
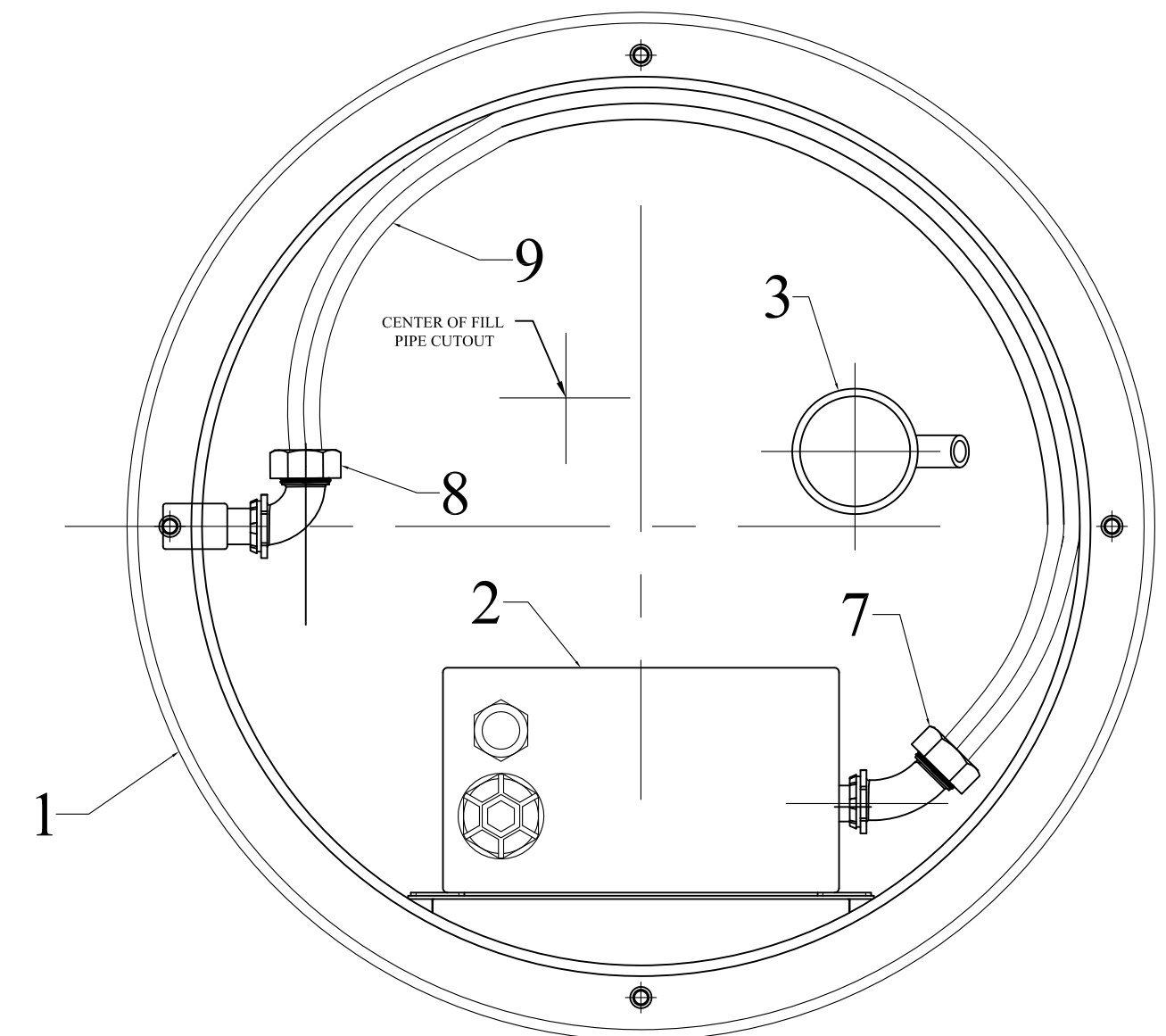


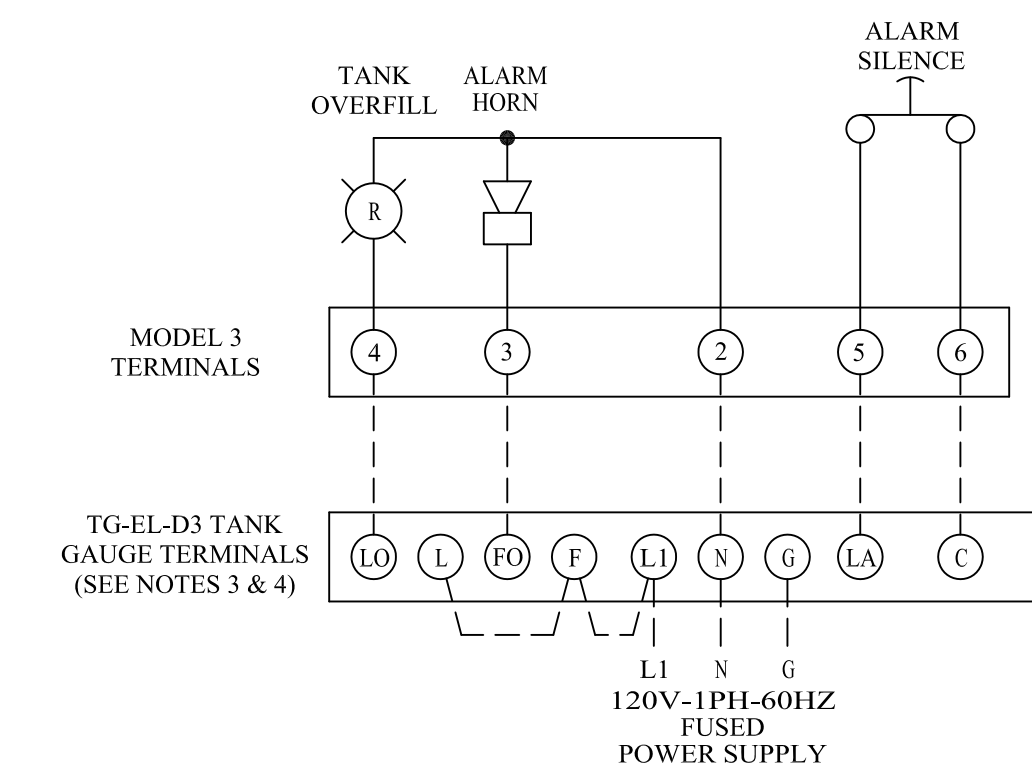
ITEM	QTY.	DESCRIPTION	PART NUMBER
1	1	MANHOLE ASSEMBLY	012811
2	1	ELECTRONICS BOX	09097
3	1	MANUAL PUMP	11280
4	1	NAMEPLATE - "PREFERRED UTILITIES"	8372
5	4	12 POINT CAP SCREW - 5/16-18 X 1" LONG - #304 S.S.	12825
6	1	SOCKET FOR 12 POINT CAP SCREW	12826
7	1	CONDUIT ELBOW - 45 DEGREE	16543
8	1	CONDUIT ELBOW - 90 DEGREE	16545
9	3 FT	CONDUIT TUBING	16511
10	1	FIL-A-LARM SIGN	FA-LABEL



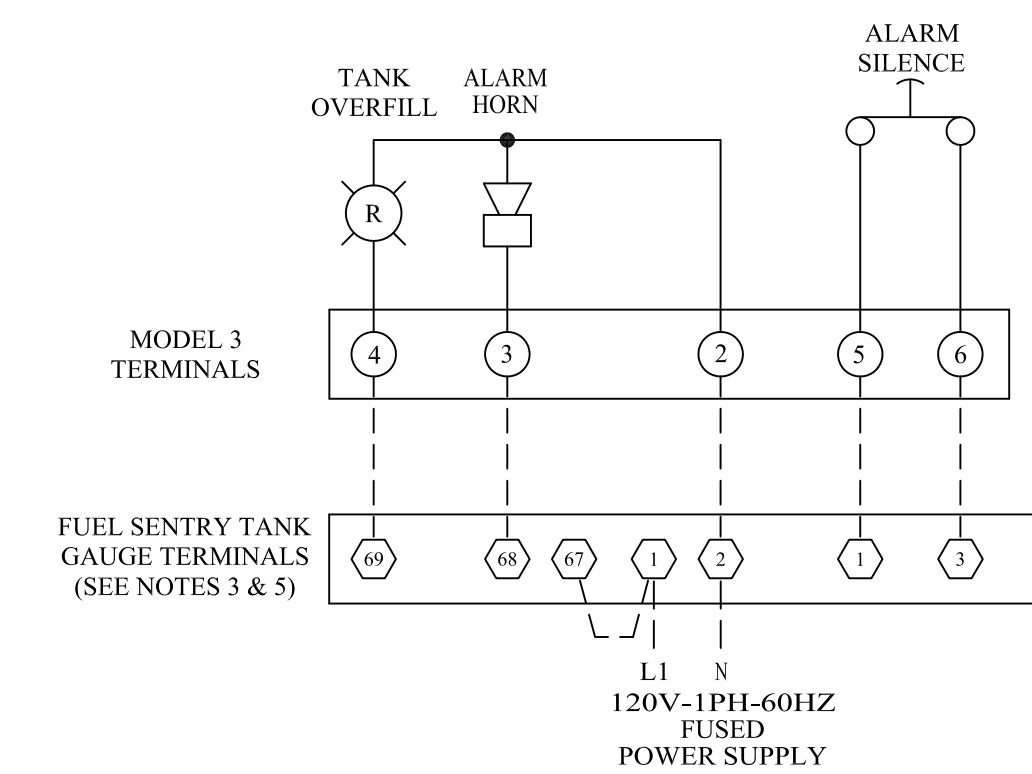
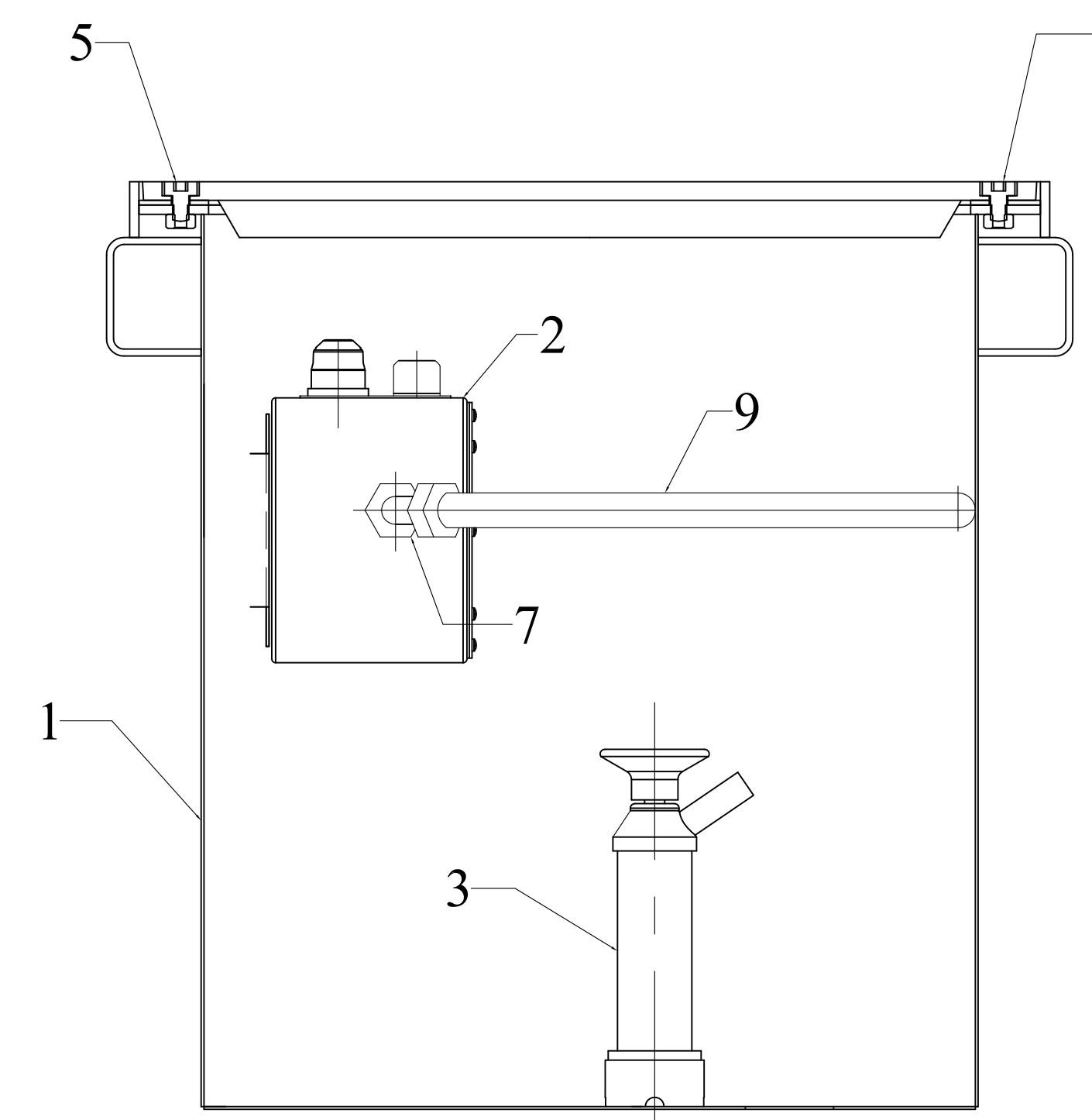
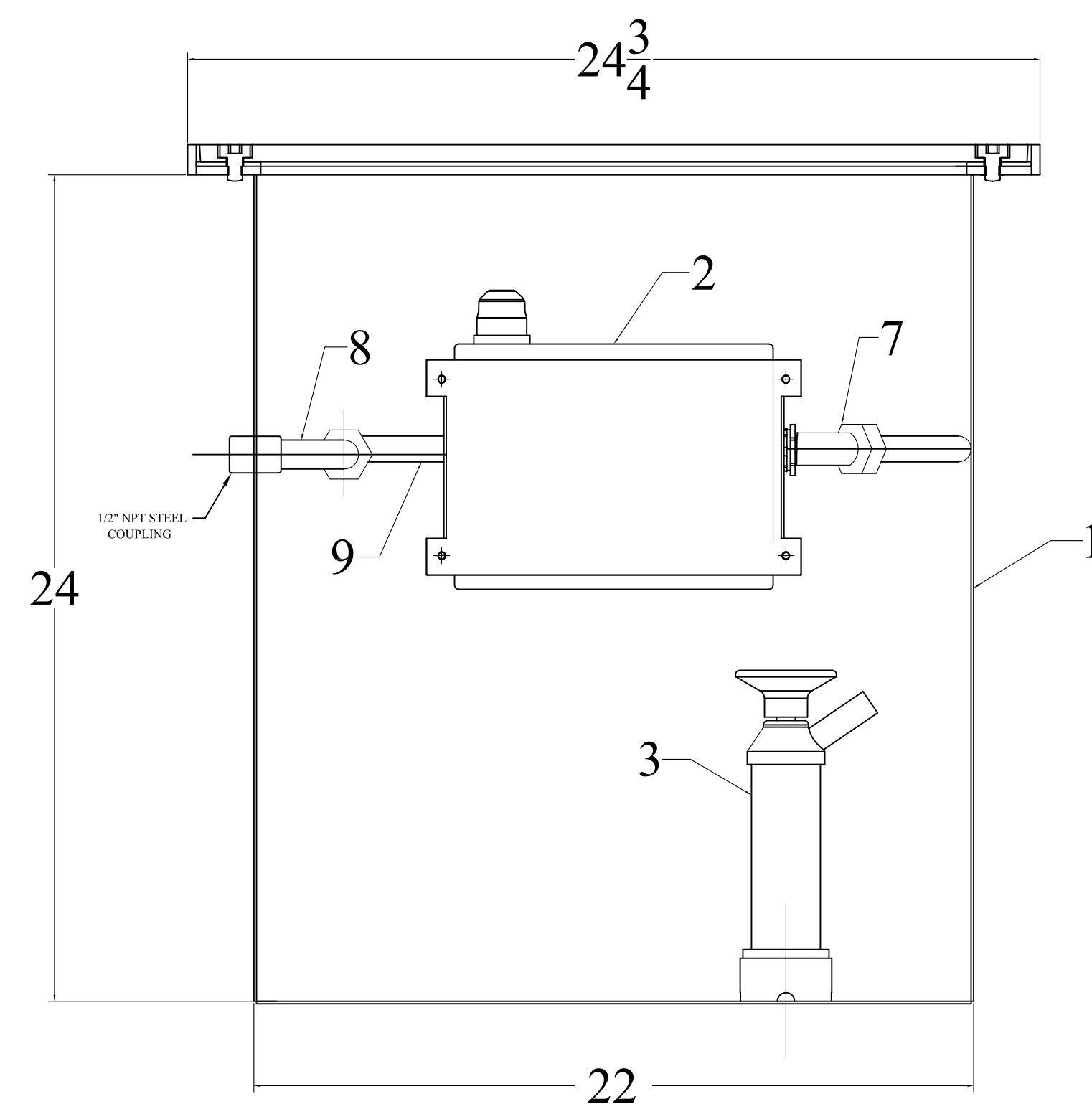
PLAN VIEW, WITH COVER PARTLY REMOVED

NOTES:

1. LOCATION OF COMPONENTS MAY BE MODIFIED TO SUIT EQUIP. DIMENSIONS OR ARRGT.
2. FOR COMPLETE ITEM DESCRIPTION, REFER TO DRAWING.



MODEL 3 TO D3 WIRING DIAGRAM



MODEL 3 TO FUEL SENTRY WIRING DIAGRAM

PREFERRED UTILITIES
MANUFACTURING CORP.

IN GROUND SPILL CONTAINER
MODEL 3-3-XX

MODEL: 3-3	SIZE:	TYPE: #6 OIL
SUPERSEDES:	ASSY NO.:	
MATERIAL:	SCALE: 1"=1'-0"	
DRAWN: S. MOLA 10-15-09		3-3-XX
LET.	REVISIONS	
FILE # PH104181.DWG	DATE OF CHANGE	APPRD: