

LIGHT OIL PUMP & MOTOR ASSEMBLIES

Model LO-100 & 200

- 50 or 100 PSI Design Discharge Pressures
- From 20 to 2105 GPH Flow Rates
- Useful as a Replacement For Aged Assemblies

The Model LO-100 & 200 series light oil pump and motor assemblies are compact, direct drive units designed to meet the performance and reliability standards demanded in commercial, industrial and institutional applications. The pump and motor assemblies are for No. 2, No. 4, and diesel oils.

Typical Applications

- Diesel Generators
- Fuel Transfer
- Oil Burners
- Fuel Oil Circulating Loops
- Day Tanks

Construction

Built for maximum life, peak performance, and quiet operation, the pump and motor are precisely aligned on a one-piece, structural steel channel base. The shafts are directly connected with a flexible coupling; rotating parts are protected by a rigid, closely fitting, steel OSHA guard. For external protection the set is prime coated and finished with an oil, water and solvent resistant, polyurethane enamel. For easy access for inspection and service, components are through-bolted to the base and accessible from the top of the set.

The pumps are bi-rotational, positive displacement, internal gear types with cast iron housings and Buna-N self-adjusting mechanical seals. Being positive displacement pumps, the pumps require over-pressure relief valves for protection from an accidentally closed or plugged discharge line. Pumps are suitable for both continuous and intermittent duty. Standard motors are base-mounted, have standard N.E.M.A. frames and are Total Enclosed Fan Cooled (TEFC).



Model LO-203, Light Oil Pump and Motor Assembly

Suggested Specifications

Oil pump and motor assemblies shall be factory assembled on a structural steel channel base and shall include a base mounted motor directly connected by a flexible coupling to a bi-rotational, internal gear pump, having self-adjusting mechanical seals and cast iron housing. Rotating parts shall have a steel OSHA guard. The sets shall be prime coated and finished with an oil, water and solvent resistant, polyurethane enamel. Pump and motor assemblies shall be Preferred Utilities Manufacturing Corp., Danbury, CT, LO-___ rated at ___ GPH of (No. 2), (No. 4), (Diesel) oil against a discharge pressure of ___ PSI.

Approved by N.Y.C. Board of Standards and Appeals.

LO-10_ Pumps: Cal. No. 412-48-SA. U.L. 343

LO-20_ Pumps: Cal. No. 438-21-SA

For non-standard motors or heavy oil pump and motor assemblies, please consult the factory.

LIGHT OIL PUMP & MOTOR ASSEMBLIES

Model LO-100 & 200

Ordering Information

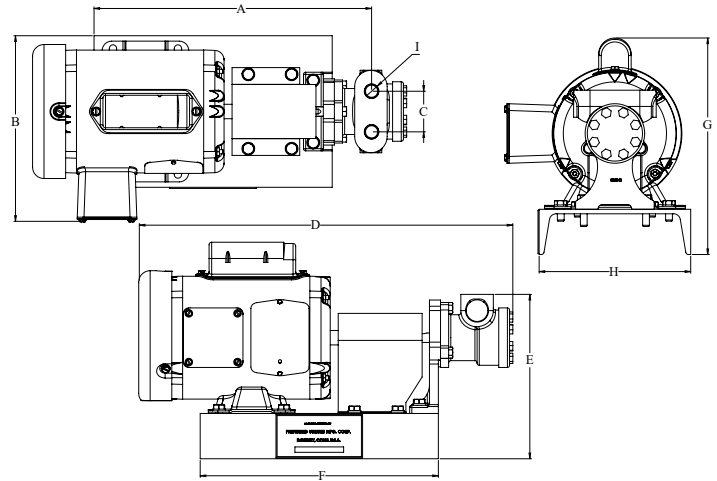
Select model number from the table below.

Catalog Number	GPH. Oil No. 2 / No. 4	PSI	Motor	
			RPM.	HP
LO-101E	23 / 24	100	1725	1/3*
	24 / 25	50	1725	1/3*
LO-102E	51 / 54	100	1725	1/3*
	54 / 56	50	1725	1/3*
LO-103E	89 / 96	100	1725	1/3*
	97 / 100	50	1725	1/3*
LO-104E	150 / 161	100	1725	1/2**
	163 / 169	50	1725	1/2**
LO-105E	328 / 344	50	1725	3/4**
LO-106E	305 / 337	100	1760	1**
LO-201	375 / 423	50	1140	1/2**
LO-202	340 / 408	100	1140	3/4**
LO-203	757 / 875	50	1140	3/4**
LO-204	714 / 881	100	1140	1-1/2**
LO-205	1095 / 1287	50	1165	1-1/2**
LO-206	1005 / 1277	100	1170	2**
LO-207	1931 / 2185	50	1170	2**
LO-208	1745 / 2105	100	1165	5**

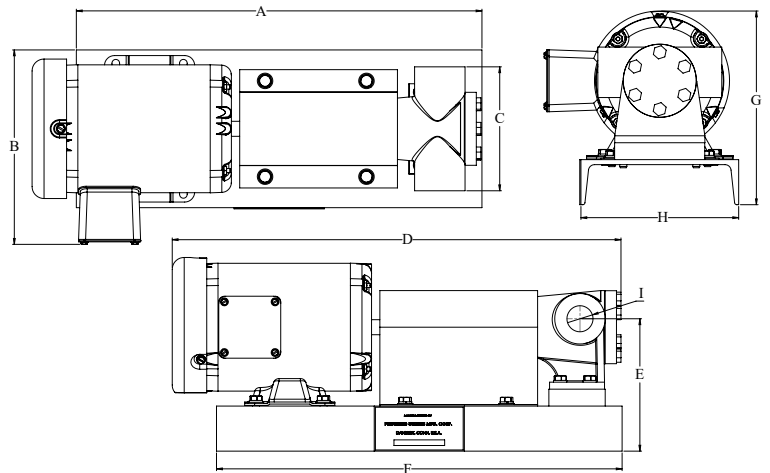
Specifications subject to change without notice.
Pump & motor assemblies ratings are nominal at pressures shown with maximum 10" Hg vacuum at pump inlet.

*115, 208 or 230V 60Hz 1 phase

**208, 230 or 460V 60Hz 3 phase



Dimensions diagram for Model LO-10X series



Dimensions diagram for Model LO-20X series

Catalog Number	A	B	C	D	E	F	G	H	I (Port Size)	Weight
	Nominal (in.)									
LO-101E	15-5/8	8-1/2	1-7/8	17-1/4	7-19/32	11	10	7	1/2	35.5
	15-5/8	8-1/2	1-7/8	17-1/4	7-19/32	11	10	7	1/2	35.5
LO-102E	16-1/8	8-1/2	1-7/8	17-1/4	7-9/16	11	10	7	1/2	36.5
	16-1/8	8-1/2	1-7/8	17-1/4	7-9/16	11	10	7	1/2	36.5
LO-103E	16-1/8	8-1/2	1-7/8	17-1/4	7-9/16	11	10	7	1/2	36.3
	16-1/8	8-1/2	1-7/8	17-1/4	7-9/16	11	10	7	1/2	36.3
LO-104E	15-7/8	8-1/2	1-7/8	17-1/4	7-9/16	11	8-5/8	7	1/2	36.6
	15-7/8	8-1/2	1-7/8	17-1/4	7-9/16	11	8-5/8	7	1/2	36.6
LO-105E	15-3/4	8-1/2	1-7/8	17-3/16	7-9/16	11	8-5/8	7	1/2	41.8
LO-106E	16-7/16	8-1/2	1-7/8	17-3/4	7-9/16	11	8-5/8	7	1/2	46
LO-201	18-3/32	8-1/2	5-1/2	20	5-7/8	18	8-5/8	7	1	58
LO-202	20	9-1/2	5-1/2	21-7/8	6-3/8	18	9-5/8	8	1	77
LO-203	22-5/16	10-1/2	7-1/2	24-3/16	7-1/2	20	10-1/2	10	1-1/2	99
LO-204	25-1/2	11-11/16	7-1/2	27-13/32	7-7/8	21	11-1/2	10	1-1/2	120
LO-205	25-1/2	11-11/16	7-1/2	27-7/16	7-7/8	21	11-1/2	10	1-1/2	134
LO-206	27-1/16	11-11/16	7-1/2	29	7-7/8	21	13-3/8	10	1-1/2	142
LO-207	31	11-11/16	10	33-7/16	9-1/16	26	14-1/16	10	2-1/2	225
LO-208	33	13-13/16	10	35	9-1/2	28	15-3/8	12	2-1/2	290

For non-standard motors or heavy oil pump and motor assemblies, please consult the factory.