

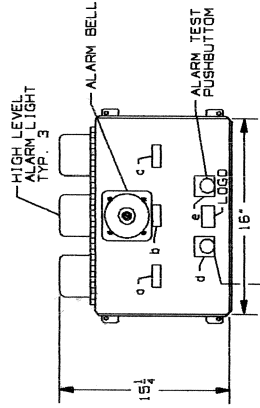
Title FA-AV WIRING

Size	Number	Rev
A		

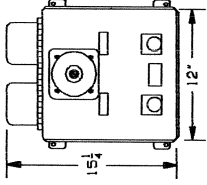
Date	Drawn by	Sheet	of

I.S. GND
TO INTRINSICALLY SAFE GROUND STAKE
LESS THAN 1 OHM FROM UNIT TO STAKE

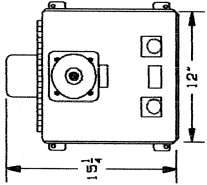
DO NOT HOOK TO SERVICE ENTRANCE GROUND!



FA-AV-3D3

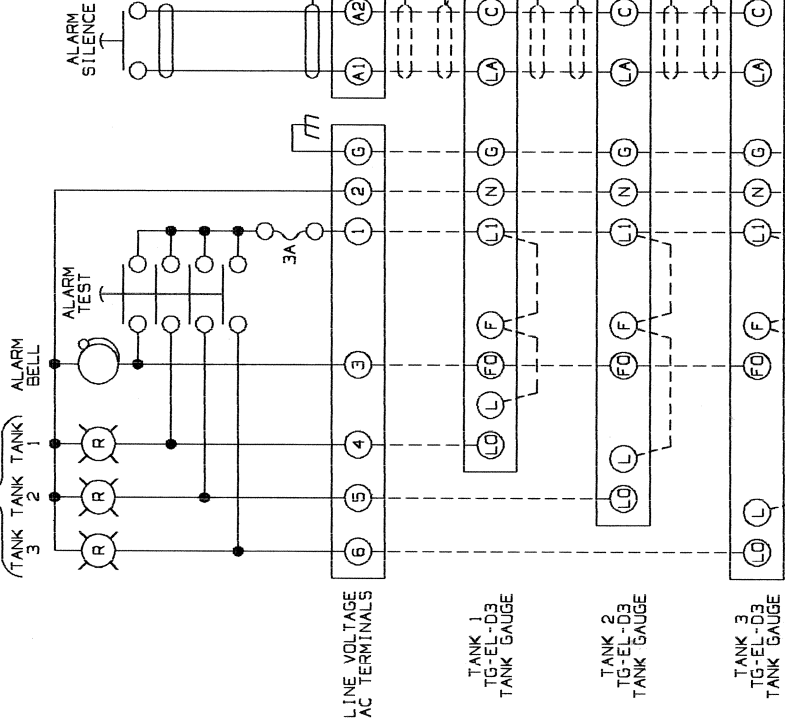


FA-AV-2D3



FA-AV-1D3

HIGH LEVEL LIGHTS



FA-AV-3D3 CABINET: 18" w x 12" h x 6" d
NEMA 4
STEEL CONSTRUCTION

FA-AV-2D3 & FA-AV-1D3 CABINET: 12" w x 12" h x 6" d
NEMA 4
STEEL CONSTRUCTION

NAMEPLATES: BLACK WITH WHITE LETTERS

NAMEPLATE LEGEND:
o-TANK 1
b-TANK 2
c-TANK 3
d-ALARM SILENCE/HOLD 2 SECONDS
e-ALARM TEST

NOTES:

1. FA-AV-1D3 MONITORS ONE TANK
FA-AV-2D3 MONITORS TWO TANKS
FA-AV-3D3 MONITORS THREE TANKS
2. PARTIAL TERMINALS SHOWN FOR TG-EL-D3 MONITOR REFER TO TG-EL-D3 MANUAL FOR COMPLETE WIRING
3. ---FACTORY WIRING ----- FIELD WIRING
4. TANK GAUGES

PREFERRED INSTRUMENTS
11 SOUTH STREET
DANBURY, CONNECTICUT

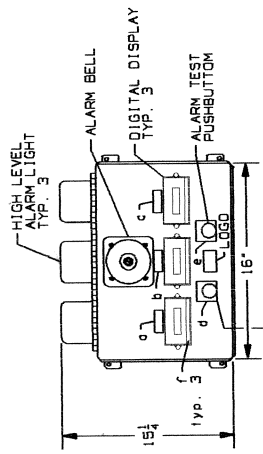
A Division of Preferred Utilities Monitoring Corp.

FA-AV-XD3 OVERFILL ALARM FIELD WIRING

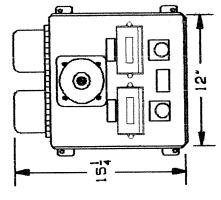
MODEL: FA-AV-3D3	TYPE:
SUPERSEDES:	ASS'Y NO.:
MATERIAL:	SCALE: NONE
DRAWN: A. A. 8-10-93	DATE OF CHANGE:
APP'R:	

FA-AV-XD3

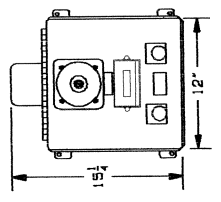
REV.	DESCRIPTION	DATE
A	REMOVED FLASHER, SEE SCN #408	11-16-94



FA-AV-3RD3



FA-AV-2RD3



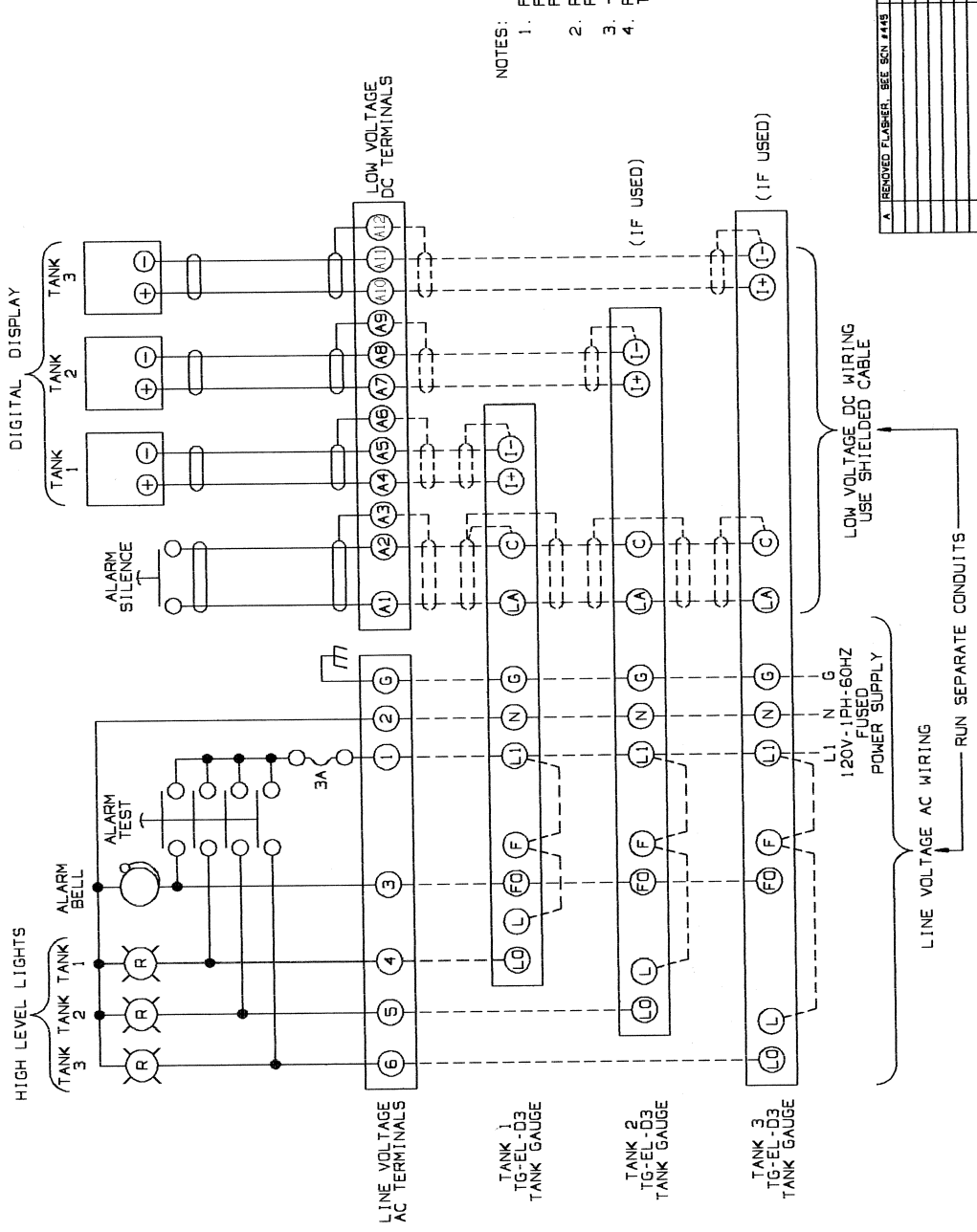
FA-AV-1RD3

FA-AV-3RD3 CABINET: 16" w x 12" h x 6" d
 NEMA 4
 STEEL CONSTRUCTION

FA-AV-2RD3 & FA-AV-1RD3 CABINET: 12" w x 12" h x 6" d
 NEMA 4
 STEEL CONSTRUCTION

NAMEPLATES: BLACK WITH WHITE LETTERS

NAMEPLATE LEGEND:
 b-TANK 1
 c-TANK 2
 d-TANK 3
 g-ALARM SILENCE/HOLD 2 SECONDS
 e-ALARM TEST
 f-GALLONS



- NOTES:
1. FA-AV-1RD3 MONITORS ONE TANK
 2. FA-AV-2RD3 MONITORS TWO TANKS
 3. FA-AV-3RD3 MONITORS THREE TANKS
 4. PARTIAL TERMINALS SHOWN FOR TG-EL-D3 MONITOR REFER TO TG-EL-D3 MANUAL FOR COMPLETE WIRING
 5. FACTORY WIRING ----- FIELD WIRING
 6. FA-AV-xRD3 IS ONLY FOR USE WITH TG-EL-D3 TANK GAUGES

PREFERRED INSTRUMENTS
 11 SOUTH STREET
 DANBURY, CONNECTICUT

A Division of Preferred Utilities Manufacturing Corp.

FA-AV-xRD3 OVERFILL ALARM FIELD WIRING

MODEL: FA-AV-xRD3	TYPE:
SUPERSEDES:	ASS'Y NO.:
MATERIAL:	SCALE: NONE
DRAWN: A.A. B-10-93	DATE OF CHANGE:
APP'D:	

FILE #FAAVXR03